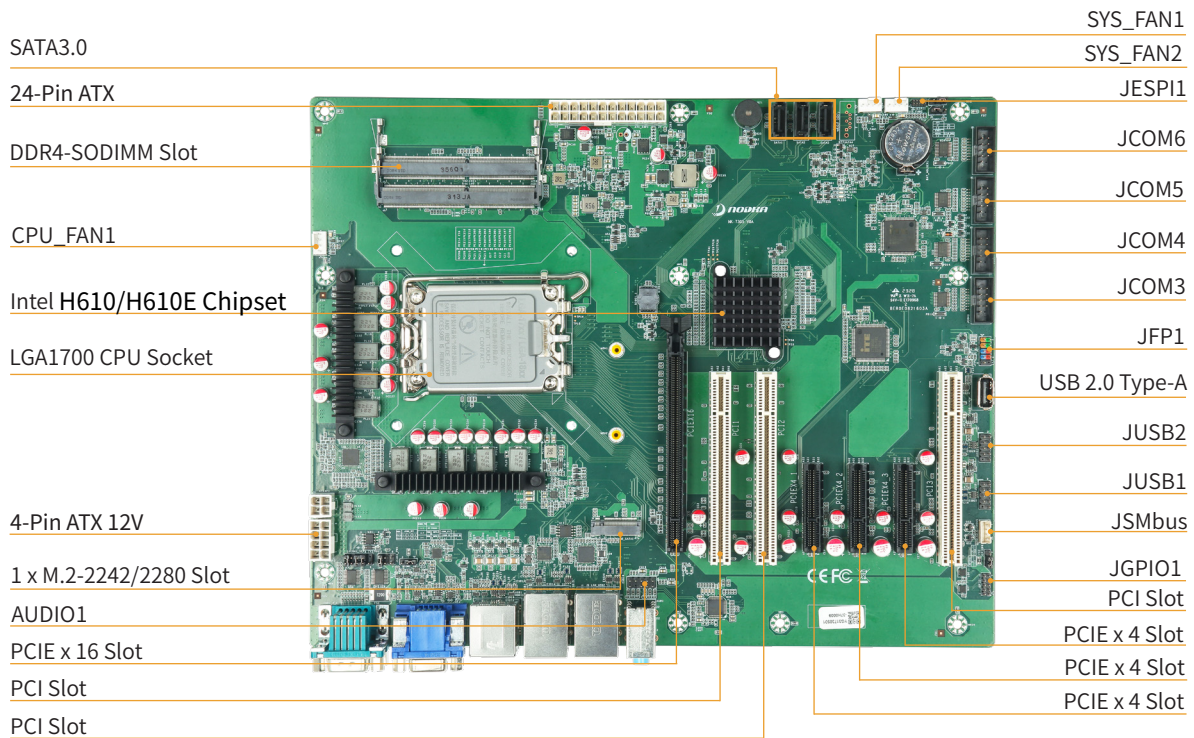


NK-7305

H610/H610E Chipset Support LGA1700 12/13th Generation processor ATX Motherboard

特点 Feature

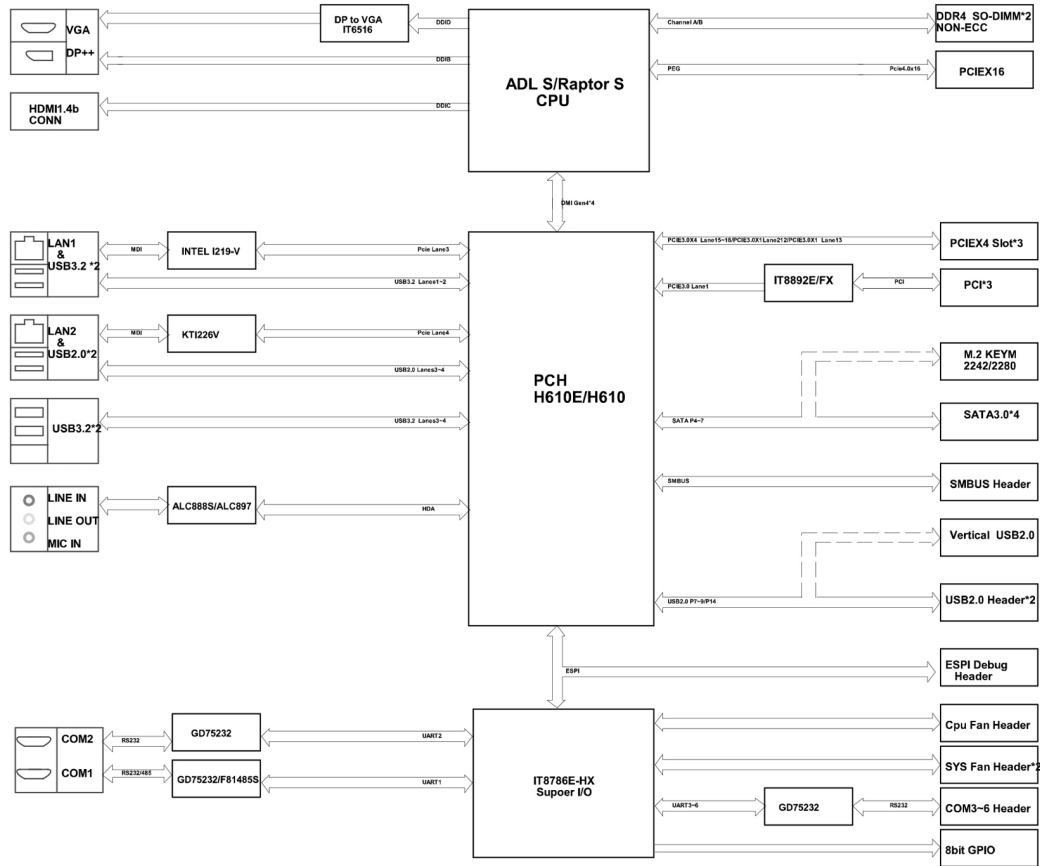
- Intel® 12/13th Generation Celeron/Pentium/Core-I series LGA1700 processor,TDP up to 125W
- Support Dual Channel(Non-ECC) DDR4-3200MHz SO-DIMM slot, up to 64GB
- Support VGA,HDMI,DP Tri-display
- 2 x Giga-bit Ethernet
- 4 x USB3.0 ports, 6 x USB2.0 ports
- 2 x RS232/485, 4 x RS232
- 1 x PCIe4.0 X 16 (GEN 4),1 x PCIe X4(Gen4) , 2 x PCIe X4(Gen4, X1 link), 3 X PCI



规格 Specification

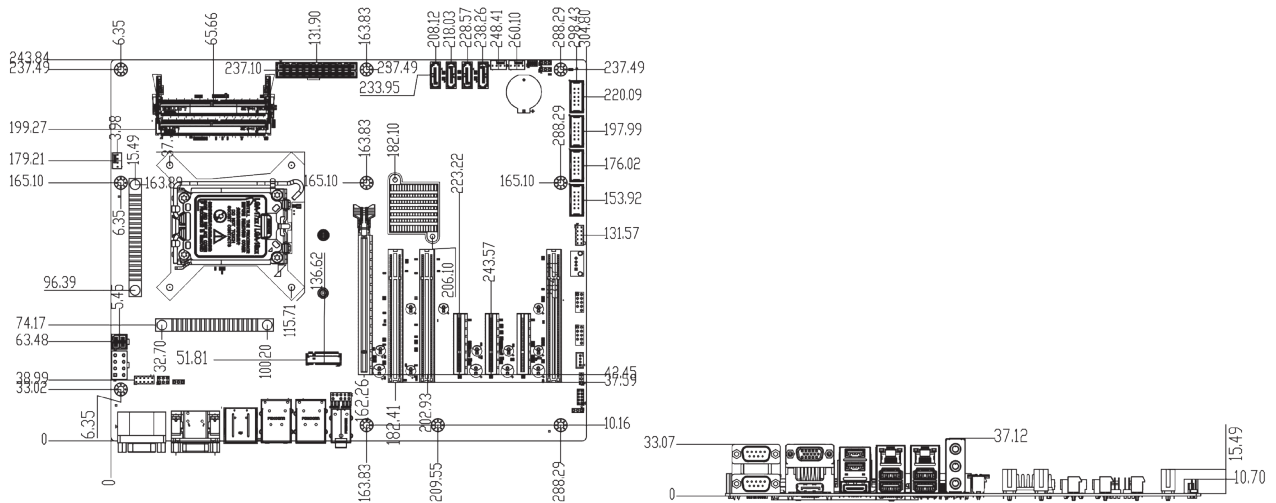
处理器 Processor System	CPU	Intel® 12/13th Generation Celeron/Pentium/Core-I series processor, TDP up to 125W
	插槽 Socket	LGA1700
	芯片组 Chipset	Intel H610/H610E
	BIOS	AMI 256Mb UEFI BIOS
内存 Memory	技术 Technology	Dual Channel(Non-ECC) DDR4 3200MHz, up to 64GB
	插槽 Slot	2 x 260-pin SO-DIMM slots
存储 Storage	SATA	4 x SATA3.0 (up to 6Gb/s, 1 x SATA3.0 (optional))
	M.2	1 x M.2-2242/2280 Key M slot (BOM Optional share signal with 1*SATA3.0 ,default M.2-2242/2280)
图形 Graphic	控制器 Controller	Intel HD graphics integrated
外部接口 Rear I/O	显示 Display	1 x VGA, resolution up to 1920x1200@60Hz
		1 x DP, resolution up to 4096x2160@60Hz
		1 x HDMI, resolution up to 4096 x 2160@30Hz
	网络 Ethernet	2 x GbE(RJ45) LAN1: Intel i219-V;LAN 2: Realtek 8111H
	USB	4 x USB3.0(5Gbps),2 x USB2.0
	串口 Serial	2 x RS232/485
	音频 Audio	1 x Line-out, 1 x Mic-in, 1 x Line-in
内部接口 Internal I/O	COM	4 x RS232 wafer
	USB	4 x USB2.0 pin header, (2 x 2*5pin) (Default), 1 x vertical USB2.0 type-A connect (BOM Optional share signal with 1*USB2.0 header,optional type-A)
	eSPI	1 x eSPI header for debug
	FAN	1 x CPU FAN / 2 x SYS FAN
	GPIO	1 x 8bit GPIO
	FP	1 x FP(Power LED, HDD LED, Power button, Reset button)
	SMBus	1 x SMBus wafer
扩展接口 Expansion Slots	PCIe X16	1 x PCIe X16(Gen4) slot
	PCIe X4	1 x PCIe X4(Gen4) slot, 2 x PCIe X4(Gen4, X1 link) slots
	PCI	3 x PCI slots
看门狗定时器 Watchdog Timer	输出 & 间隔 Output&Interval	System reset, programmable from 1~255 sec
电源 Power	类型 Type	ATX Power Input: 24-Pin ATX + 8/12-Pin ATX 12V
	功耗 Power Consumption	TBD
操作系统 O.S Support	MS Windows	Windows 10 /11
	Linux	Linux
机械参数 Mechanism	尺寸 Dimensions	(L)305mm x(W) 244mm
	净重 Gross Weight	TBD
环境 Environment	工作温度 Operating	0°C ~ 60°C
	存储温度 Storage	-40°C ~ 85°C
	相对湿度 Humidity	5~95% (Non-condensing)

框架图 Block Diagram



机构图 Mechanical Drawing

单位 (Unit): mm



订购信息 Order Information

料号 Part No.	型号 Model	描述 Description
	NK-7305-H610	ATX MB,H610,12/13th CPU,2xDDR4 SODIMM,1xM.2-2242/2280,3xSATA3.0,2xLAN,6xCOM,10xUSB

包装清单 Packing List

料号 Part No.	数量 Qty	描述 Description
	1	NK-7305 User manual
	4	Single COM port Cable(400mm)
	1	Single SATA Date Cable(450mm)
	1	Single I/O Port Bracket

Note: Driver CD is not provided. Please visit Nodka support website for driver download.

可选配件 Optional Accessories

料号 Part No.	描述 Description
TBD	LGA1700 CPU Cooler,TDP up to 125W
TBD	Single COM Port Cable(400mm)
TBD	1 in 2*USB2.0 Type-A Y Cable(300mm)
TBD	Single SATA Date Cable(450mm)
TBD	Single I/O Port Bracket