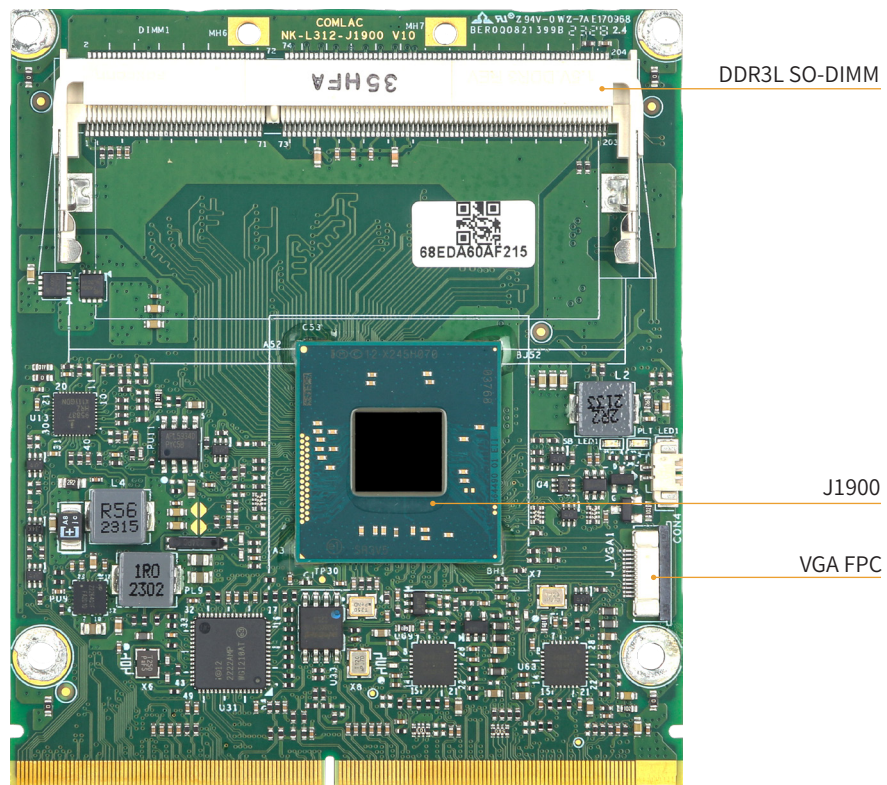


NK-L312-J1900

95*82 Bay Trail J1900 Comlac Board

特点 Feature

- Intel® Celeron® J1900 processor, Quad-core, base frequency 2.0GHz , TDP 10W
- Support 1 x DDR3L-1333MHz SO-DIMM slot, up to 8GB
- Support 1 x VGA FPC Connector, 2 x DDI dual display
- Type3 Interface Signals with MXM3.0 Gold Finger

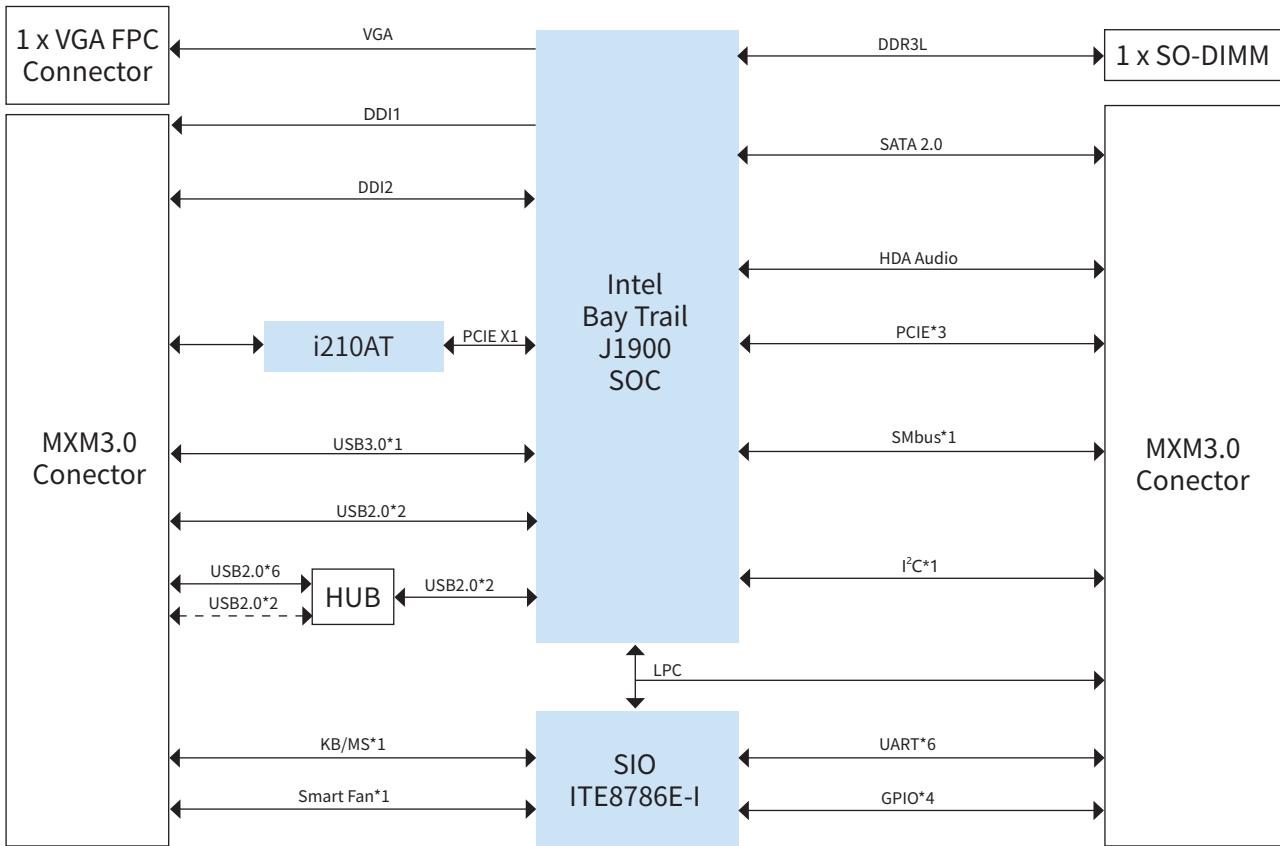


规格 Specification

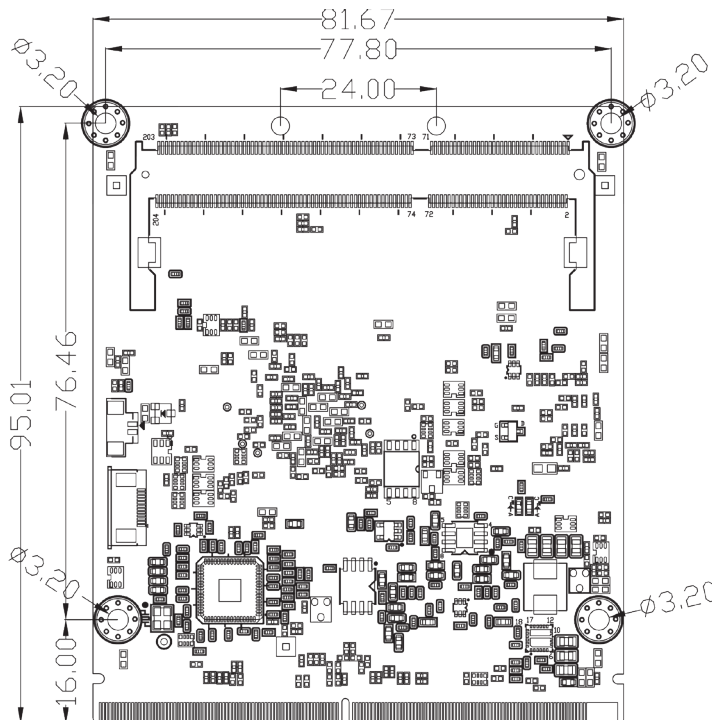
处理器 Processor System	CPU	Intel® Celeron® J1900 processor 2.0GHz,TDP 10W
	芯片组 Chipset	Intel® SoC integrated
	BIOS	AMI 64Mb UEFI BIOS
内存 Memory	技术 Technology	Single Channel(Non-ECC) DDR3L-1333MHz, up to 8GB
	插槽 Slot	1 x DDR3L 240-pin SO-DIMM slot
图形 Graphic	控制器 Controller	Intel HD graphics integrated
扩展信号 Expansion Signals	显示 Display	2 x DDI,1 x VGA FPC Connector
	串口 Serial Port	2 x Uart(9line),4 x Uart(3line)
	USB	1 x USB3.0,8 x USB2.0 ^[1]
	SATA	2 x SATA 2.0
	PCIe	3 port 3 lanes(3 X1)
	GPIO	1 x 4bit GPIO
	音频 Audio	1 x Intel HDA Audio codec
	Fan	1 x Smart Fan
	网络 Ethernet	Intel i210AT controller
	其他 others	1 x I ² C,1 x SMBus,1 x LPC,1 x Buzzer, 1 x KB/MS
看门狗定时器 Watchdog Timer	输出 & 间隔 Output&Interval	System reset, programmable from 1~255 seconds
电源 Power	Power input	5V
操作系统 OS Support	MS Windows	Windows 7/8/10
	Linux	Linux
机械参数 Mechanism	尺寸 Dimensions	(L)95mm x (W)82mm
	净重 Gross Weight	0.6kg
环境 Environment	温度 Temperature	Operating: 0°C ~60°C with SSD
		Storage: -40°C ~85°C
	湿度 Humidity	5~95% (Non-condensing)
振动 Vibration	5~500Hz, 3Grms operating	

[1] 8/10*USB2.0 selected by resAistor, 8*USB2.0 default.

框架图 Block Diagram



机构图 Mechanical Drawing



订购信息 Order Information

料号 Part No.	型号 Model	描述 Description
G34.I31202.10.NEK	NK-L312-J1900	Type 3,95*82mm Bay Trail,J1900, 1x DDR3L SO-DIMM

可选配件 Optional Accessories

料号 Part No.	描述 Description
KF0.000612.00.J03	L=100mm,Single VGA FPC Cable